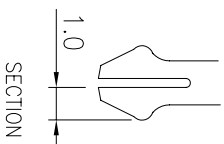
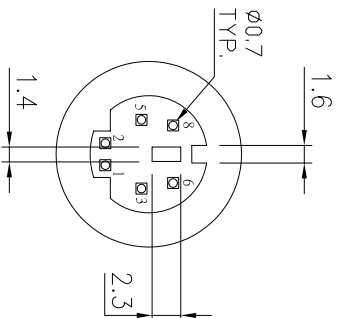
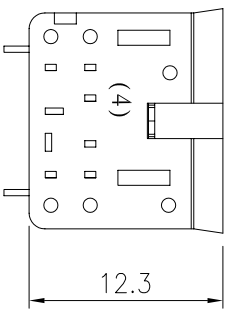


PCB LAYOUT
(BOTTOM VIEW)



NO.	NAME	MATERIAL	FINISH	Q'TY
1	HOUSING	THERMOPLASTIC	BLACK	1
2	CONTACT	PHOS. BRONZE	TIN PLATED	6
3	GROUND	BRASS	TIN PLATED	1
4	BACK COVER	THERMOPLASTIC	BLACK	1

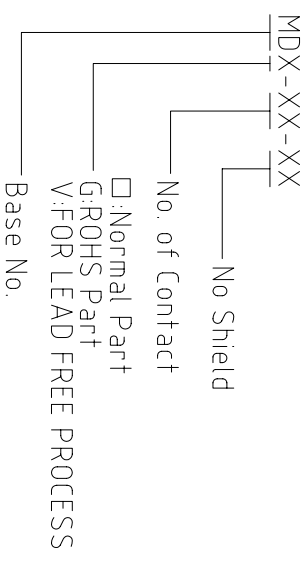
LONG CHU ELECTRONICS CO. LTD
龍竹企業股份有限公司

DESCRIPTION:

MINI DIN JACK

	MATERIAL	SEE NOTE	UNIT	MM
	DR.	KELLY	RE.	
REV. A	NEW RELEASE	06/27/06*	CHK.	APP.
	DESCRIPTION	DATE		

HOW TO ORDER



GENERAL TOLERANCE		SIZE	P/N:
0. ±.50	0. ° ±5°	A4	MD-06-NS
0.0 ±.30	0.0° ±1°	SCALE	REV. SHEET NO.
0.00 ±.20		--	A 40460A